

Quick Start Guide

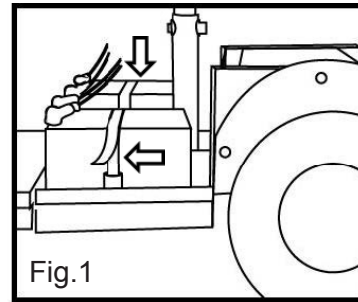
GR595 – Eagle



Read before assembly.

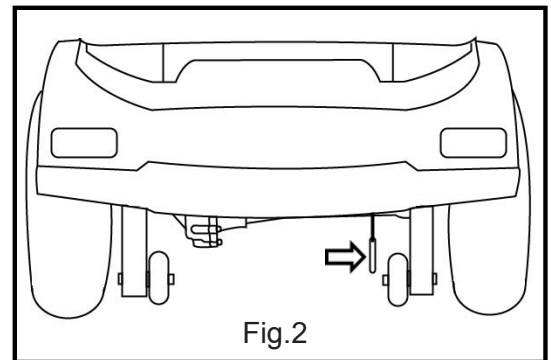
Step 1.

Push the tiller adjustment lever down (located underneath the control panel of the tiller), then raise the tiller up, and release the lever to secure the tiller in the upright position.



Step 2.

Remove the battery shroud. Carefully lower each battery into the battery tray on the scooter. Make sure that each battery is secured with the hook and loop straps. Plug each battery into the scooter making sure the connectors are secured. See figure 1.



NOTICE

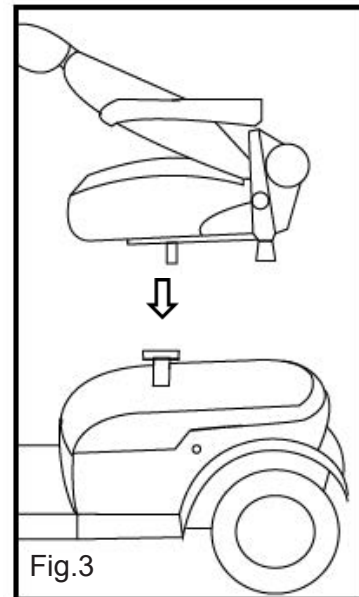
New batteries must be fully charged prior to the initial use of the product. Connect the charger to the scooter first, then the wall outlet, and charge the batteries for 12 hours before using the product.

Step 3.

Set the freewheel lever into the down or drive (D) position. See figure 2.

Step 4.

Hold the seat at an angle to visually align the seat swivel pin, with the seat post on the scooter. Lower the seat swivel pin into the seat post. Push down to make sure it is seated securely and unable to move side to side. Push forward on the swivel handle and rotate the seat so that it is facing in the forward position if not already there. See figure 3.



Step 5.

Insert each arm into the arm receiver tube at the bottom rear of the seat frame. Adjust the width of each arm. Install and tighten each arm width adjustment knob to secure each arm in place. See figure 4.

Step 6.

Sit on the seat, facing forward, insert key and turn the key to the right. Verify that the LCD screen on the control panel illuminates indicating power on and that the scooter is not beeping. If it is beeping, count the number of beeps, and refer to your owner's manual to determine the problem. If the LCD is illuminated and the scooter is not beeping, your scooter is assembled correctly, and you are ready to ride.

