

# Quick Start Guide

## GB121/GB124 – Buzzaround XL



### Read before assembly.

#### Step 1.

Loosen the tiller adjustment knob (this is located above the front wheel assembly and above the tiller locking knob.) Raise the tiller up and tighten the tiller adjustment knob to secure the tiller in the upright position. See figure 1.

#### Step 2.

Below the tiller adjustment knob, there is a tiller lock knob. Push the knob in, and turn to the left. This will unlock the tiller, and allow it to move freely from left to right. See figure 1.

#### Step 3.

Insert the seat post into the receiver and secure with the supplied nut and bolt. Refer to the seat post quick start guide sheet for proper assembly. Carefully lower the battery pack into the battery tray on the scooter. Make sure that the pack is securely seated, and is making contact with the connectors. Make sure the freewheel lever is in the engaged position. See figure 2.

#### Step 4.

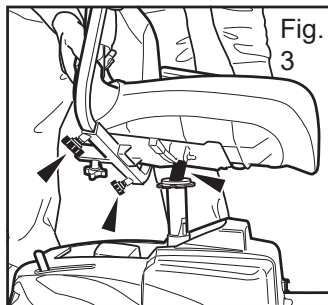
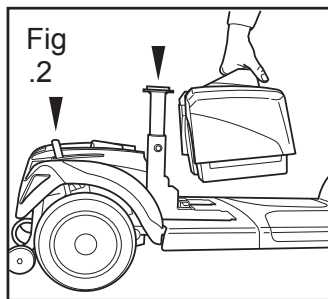
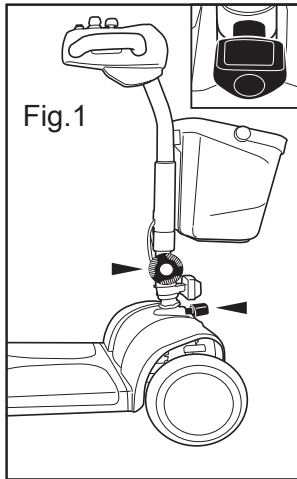
Hold the seat at an angle to visually align the seat swivel post, and the seat post on the scooter. Lower the seat swivel post into the seat post. Push down to make sure it is seated securely and unable to move side to side. Pull up on the swivel handle and move the seat so that it is facing in the forward position if not already there. See figure 3.

#### Step 5.

Loosen each arm width adjustment knob (located at the bottom rear of the seat frame.) Insert each arm into the arm receiver tube. Adjust the width of each arm. Tighten each arm width adjustment knob to secure each arm in place. See figure 3.

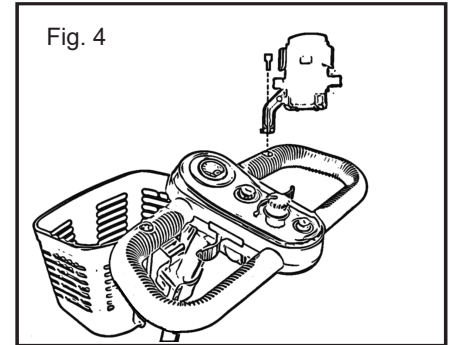
#### Step 6.

Sit on the seat, facing forward, insert key and turn the key to the right. Verify that the battery meter on the dash illuminates indicating power on and that the scooter is not flashing/beeping. If it is flashing/beeping, count the number of beeps/flashes, and refer to your owner's manual to determine the problem. If the battery meter is illuminated and there are no beeps/flashes, your scooter is assembled correctly, and you are ready to ride.

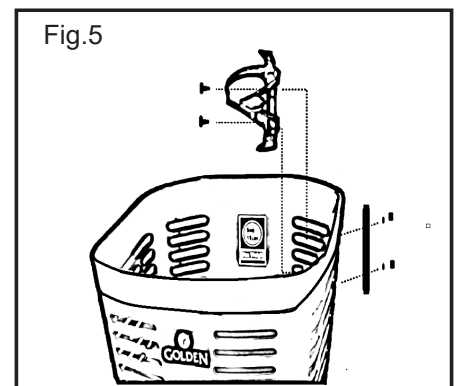


### Installing Cell Phone Holder and Cup Holder

To install cell phone holder, remove the allen bolt on the right handle bar and reinstall it through the cellphone holder and tighten. See figure 4.



To install the cup holder, insert the cup holder within the basket and run the provided screws through the cup holder, basket and backing plate. Apply the washers and the Nyloc nuts to the screws and tighten. See figure 5.



**NOTICE** New batteries must be fully charged prior to the initial use of the product. Connect the charger to the scooter first, then the wall outlet, and charge the batteries for 12 hours before using the product.